



# SGL SWITZERLAND

## GEMOLOGICAL REPORT

March 01, 2022

### Natural Diamond Report

SGL Report Number ..... D9882300

Shape and Cutting Style ..... Emerald

Measurements ..... 6.50 x 4.82 x 4.00 mm

### Grading Results - SGL 4C's

Carat Weight ..... 1.16 CT.

Color Grade ..... Fancy Vivid Brown

Color Origin ..... Natural

Color Distribution ..... Even

Clarity Grade ..... VVS1

### Additional Grading Characteristics

Polish ..... Excellent

Symmetry ..... Excellent

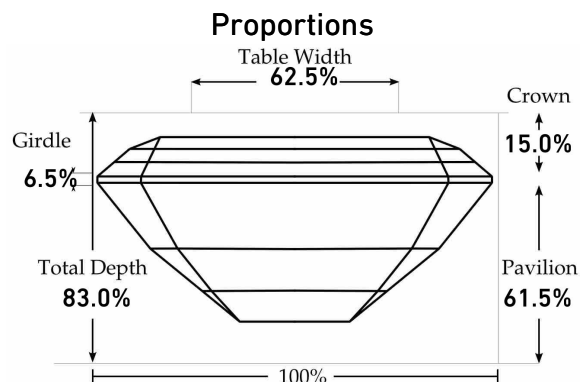
Girdle ..... Slightly Thick

Fluorescence ..... Medium

### Comments

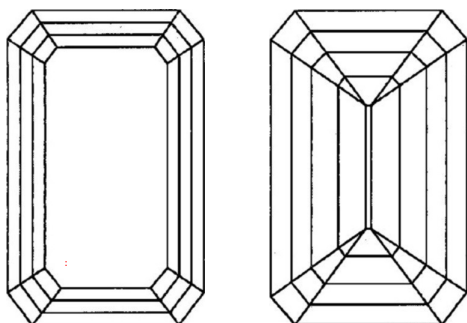
"EXCELLENT IDEAL SHAPE" - The quality of the shape of this diamond achieves Excellence in a symmetry of proportions, thus obtaining the optimal dispersion of light and brilliance. Clarity Enhanced.

Estimated Retail Price: 4,300.00 \$



Profile to actual proportions

### Clarity Characteristics



SGL COLOR SCALE		SGL CLARITY GRADE	SGL CUT SCALE
COLORLESS	D	FLAWLESS	EXCELLENT
	E	INTERNALLY FLAWLESS	
	F		
NEAR COLORLESS	G	VVS1	VERY GOOD
	H		
	I	VVS2	
	J	VS1	
	K		
FAINT	L	VS2	GOOD
	M		
	N		
VERY FAINT	O	S11	FAIR
	P	S12	
	Q	S13	
LIGHT YELLOW	R	I1	POOR
	S		
	T		
	U	I2	
	V		
	W	I3	
	X		
Y			
Z			

100% Natural Diamond

\*\*Conflict Free Diamond\*\*



# SGL SWITZERLAND

ONLINE VERIFICATION AT [WWW.SGLLABS.COM](http://WWW.SGLLABS.COM)

The result documented in this report refer only to the diamond described and was obtained using techniques and equipment available to SGL at the time of examination. This report is not a guarantee or valuation. For additional information and important limitation and disclaimers, please visit [SGLLABS.COM](http://SGLLABS.COM).



THE SECURITY FEATURES IN THIS DOCUMENT, INCLUDING THE HOLOGRAM, SECURITY SCREEN AND MICROPRINT LINE IN ADDITION TO THOSE NOT LISTED, EXCEED DOCUMENT SECURITY INDUSTRY GUIDELINES.